



Winnipeg Fleet Management Agency • Agence de gestion du parc de véhicules

TENDER 165-2019

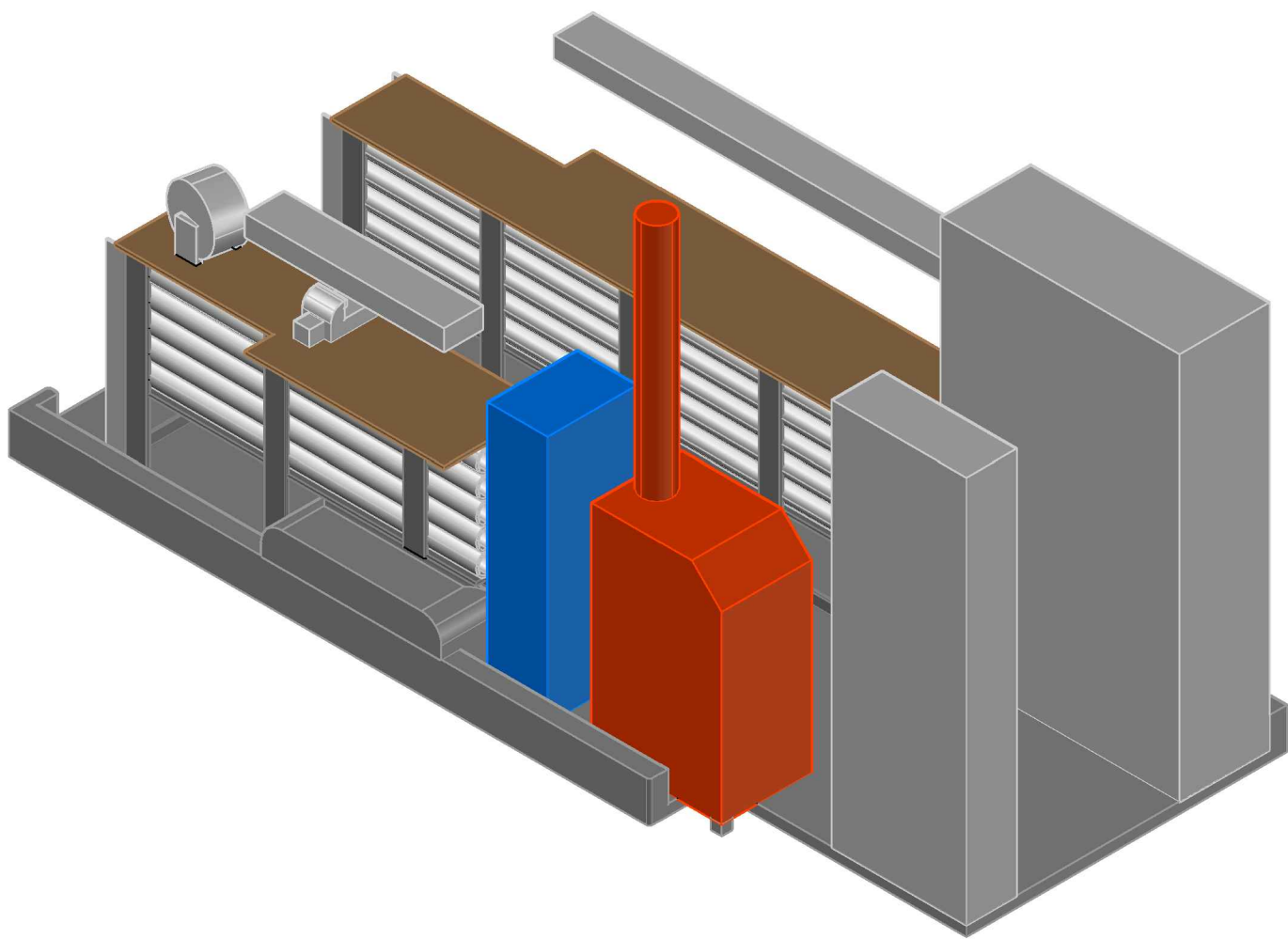
SUPPLY AND DELIVERY OF WATER SERVICE
VEHICLES COMPLETE WITH UPFITTING

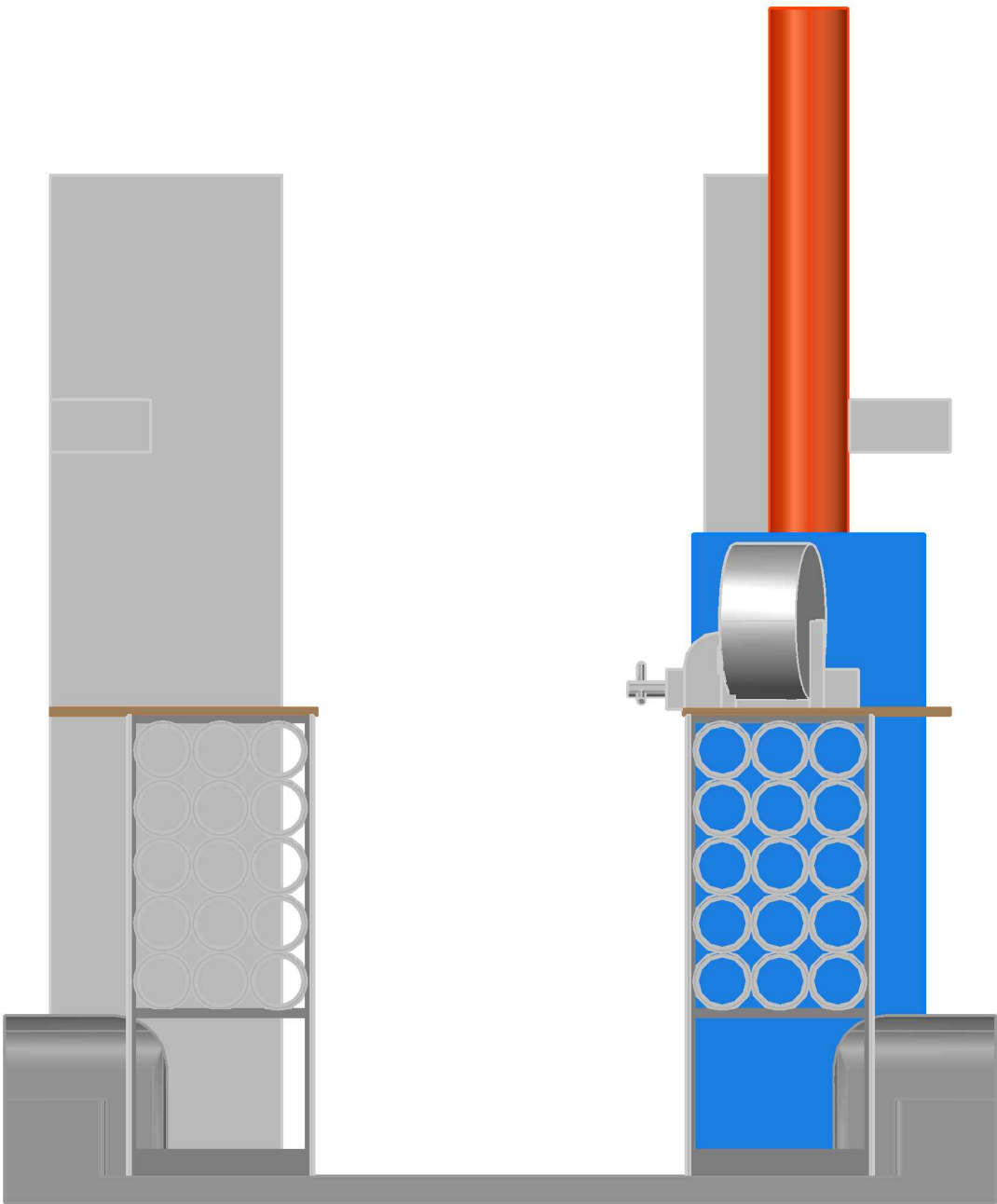
APPENDIX A

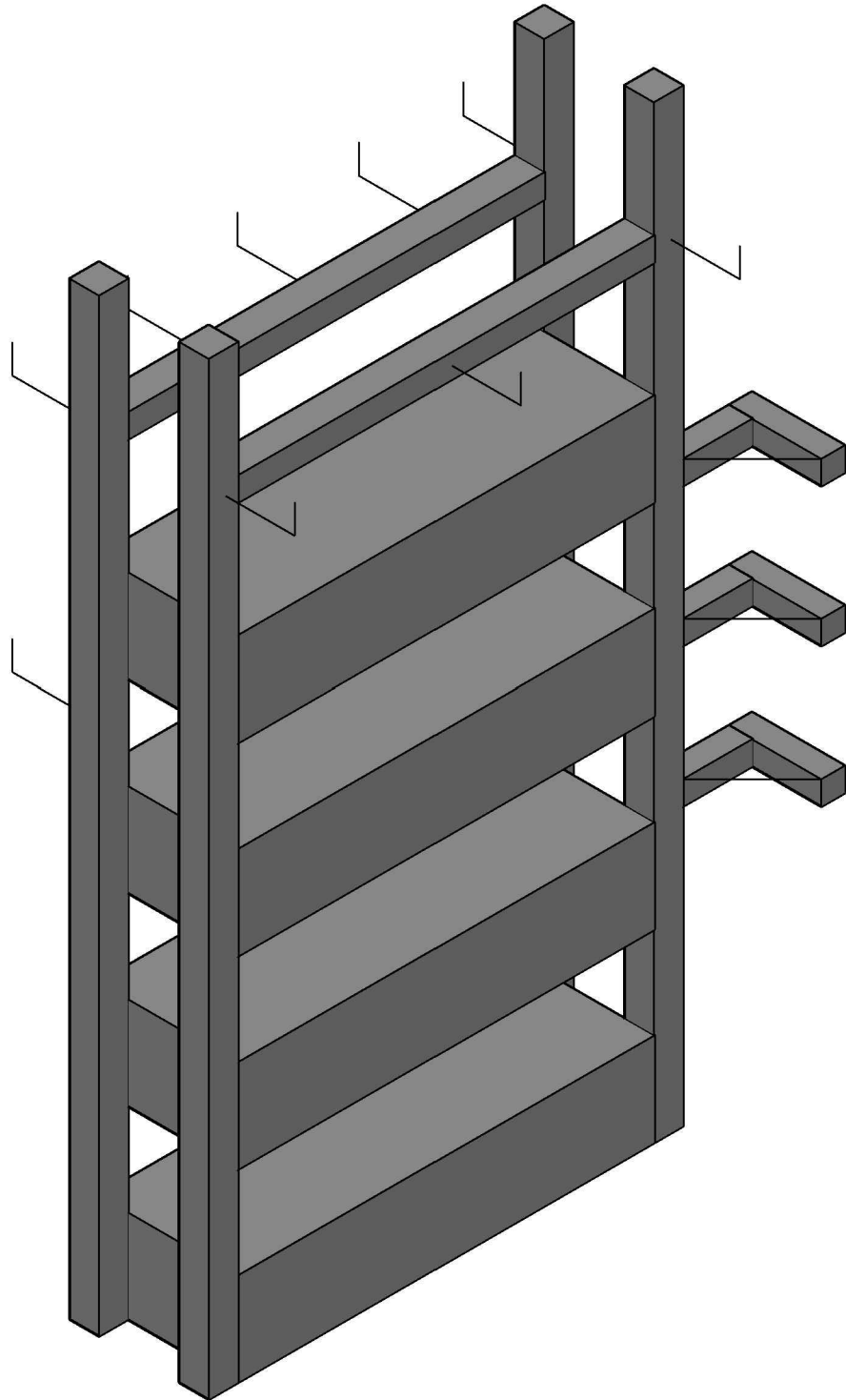
DESIGN REFERENCE GUIDE:

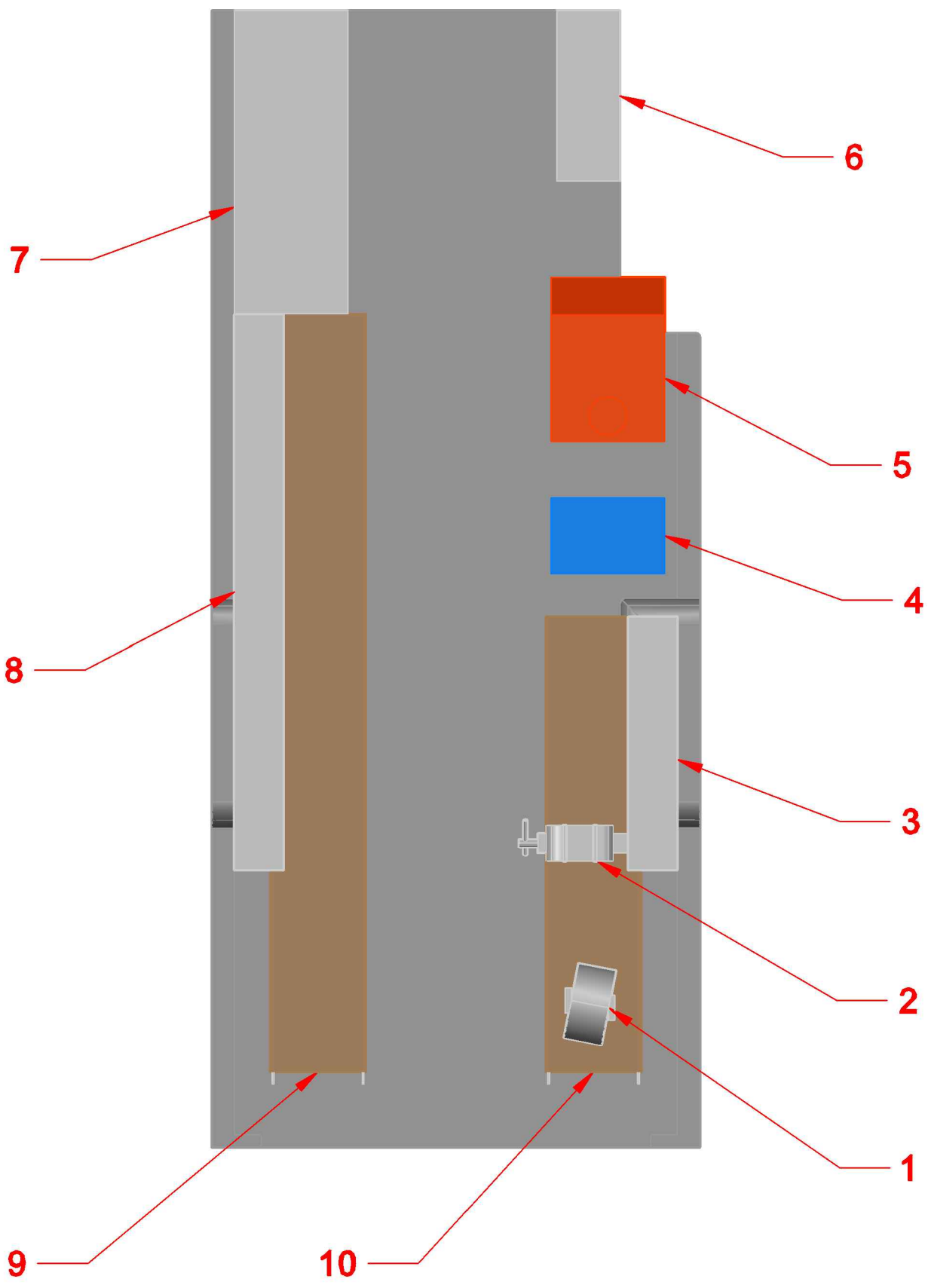
- 3D VIEW
- SIDE SHELF CONCEPT
- PLAN VIEW
- BILL OF MATERIAL

Embrace the spirit • Vivez l'esprit
"Keeping you in motion"









BILL OF MATERIAL

Item #	Description
1	Steamer Hose Reel
2	Bench Mounted Vise
3	Upper Shelf, Passenger Side
4	Water Tank
5	Steamer
6	Shelving Unit with Hooks
7	Shelving Unit
8	Upper Shelf with Hooks, Driver Side
9	Long Key Storage and Workbench
10	Short Key Storage and Workbench